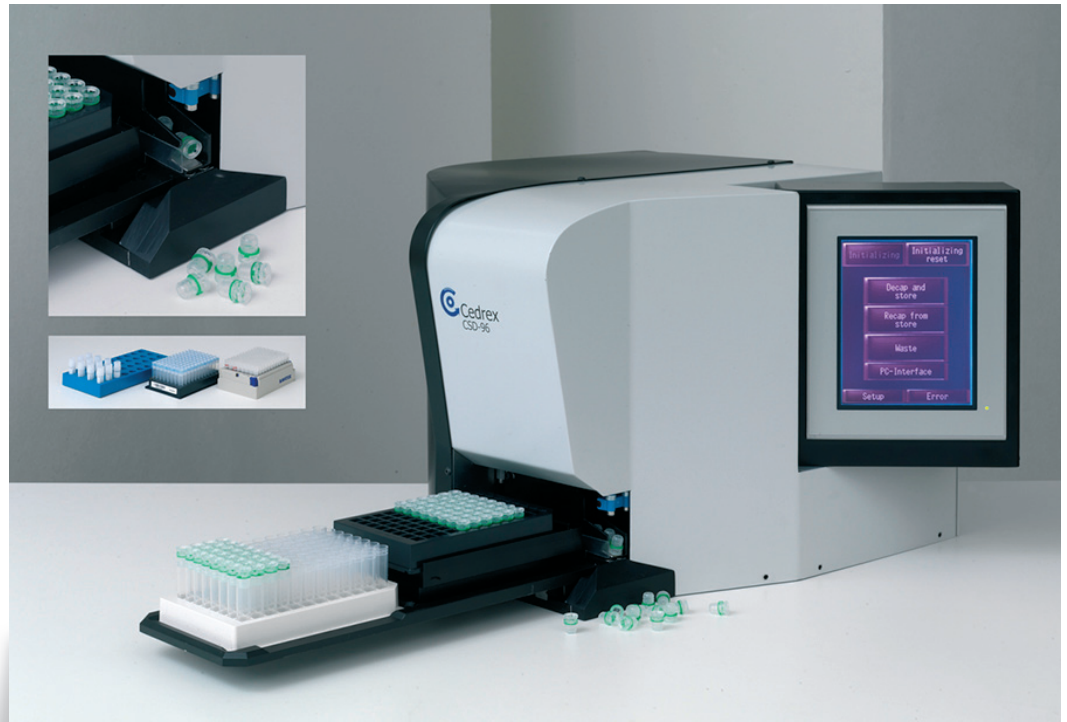
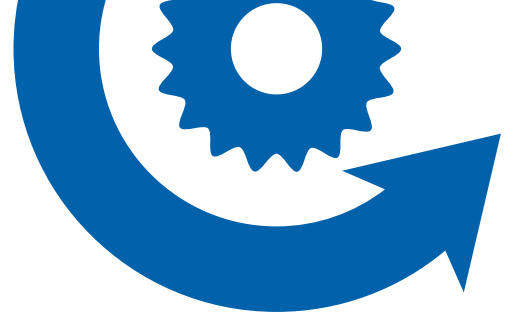


CSD-96

Decapper / Recapper for Screw Top Tubes



The Cedrex CSD -96 is a very compact full 96 – tube rack decapper / recapper for screw top tubes in racks e.g. SBS-1 footprint. Handling one column (4-8 tubes) at the time.

- Developed for full integration in robotic environment, working with serial commands. Integrated PLC unit and electronic safety system for the highest reliability and control.
- The Cedrex CSD – 96 is developed with a cap storage for decapped caps or alternatively 96 new screw caps with e.g. various colours. Integrated waste canal for used caps.
- Recapping capability. Factory mechanical calibration of the seal torque according to the tube manufacturer specification, to ensure correct sealing quality and consistency
- Currently compatible with: Nunc Cryobank Vials and Bank-It. Nunc Cryotubes, Matrix, Micronic, FluidX

Main Functions CSD-96

Decap and placing the caps in cap storage rack
Recap with caps from storage rack
Decap and waste
Recap with new caps from cap storage rack
Decap /Recap column 1 – 12 separately

- Option stand alone model for manual service.
- Other footprints e.g. 24 or 48 tube rack on request
- Other tubes on request.

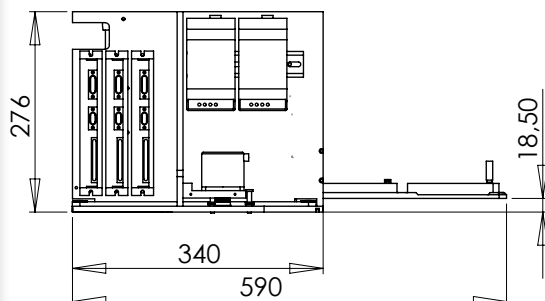
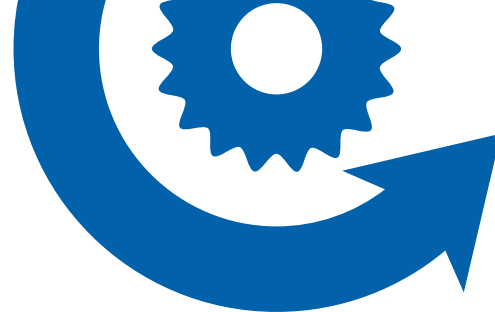
Cedrex A/S
Notgangen 3
DK-2690 Karlslunde
Phone +45 3257 5181
Fax +45 3257 5182
Info@cedrex.dk
www.cedrex.dk



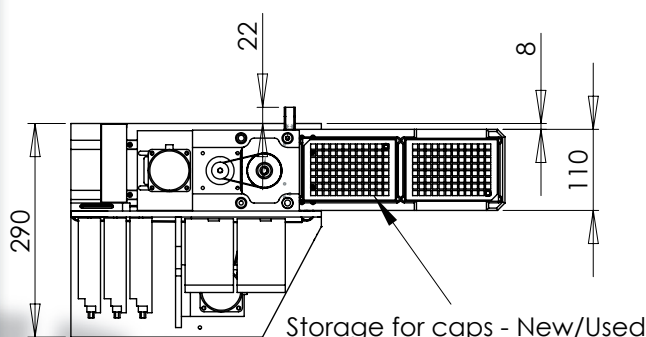
Cedrex A/S develops, produces and implements small automation systems for the biotechnical, pharmaceutical and related branches. Focusing on solving technical problems and the constant development of our skills, Cedrex A/S strives to be ahead with effective solutions.

CSD-96

Decapper / Recapper for Screw Top Tubes



Integration in Tecan Robot Bench



Integration with Cedrex Dispenser Unit

Specifications

Interface:	PC with serial RS 232 communication
Media:	Nunc Cryobank Vials and Bank-It, Nunc Cryotubes, Matrix, Micronic and FluidX
Capacity:	About 120 seconds cycle time for decapping or recapping
Dimensions:	Width: 290 mm Height: 276 mm Dept: 340 / 590 mm
Weight:	18 kg
Electrical:	110 - 230 VAC
Materials:	All components with product contact are made from stainless steel, aluminium and POM Cabinet protection grade IP 54. Cabinet in soft steel with powder coating.
Standard Versions:	Cedrex CSD - 96I for robot integration. Cedrex CSD - 96M stand alone model.

Cedrex A/S
Notgangen 3
DK-2690 Karlslunde
Phone +45 3257 5181
Fax +45 3257 5182
Info@cedrex.dk
www.cedrex.dk



Cedrex A/S develops, produces and implements small automation systems for the biotechnical, pharmaceutical and related branches. Focusing on solving technical problems and the constant development of our skills, Cedrex A/S strives to be ahead with effective solutions.