

# Xtr-96<sup>Lite</sup>

## -Entry Level Single Rack Scanner

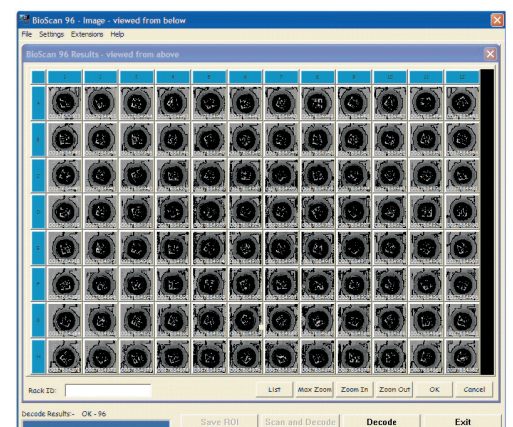


An entry level whole rack tube reader unit designed for benchtop 2D Tube code reading. Compatible with all 96 (8x12) Format tube variants.

The xtr-96lite hardware is based on standard HP scanner proving a robust but economical entry into whole rack reading of 2D tubes. The A4 format scanner provides the ability to read a complete rack of 96 tubes at once, taking just 20 seconds to complete the scan and de-code.

The scanner is combined with the same decoding software as all the other xtr range providing functionality to enable you to view results directly or integrate with other applications.

- Less than 25 second read time.
- Easy to use.
- Wide variety of data capture options.
- Optional ODBC connectivity for Database integration.
- Optional Winsock connectivity for instant integration.
- Auto learning setup for quick changing of tube type.
- Decodes all 2D bar-coded tubes including tubes from Abgene, Matrix Technologies, Micronic, and Nunc in 24,48 and 96 rack formats.



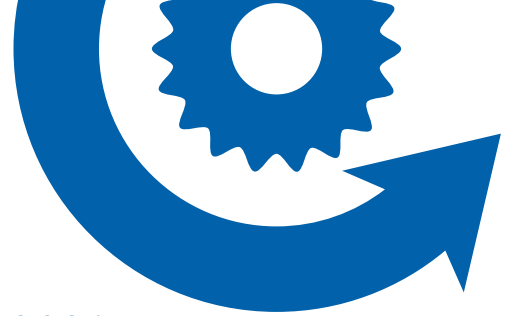
Cedrex A/S  
Notgangen 3  
DK-2690 Karlslunde  
Phone +45 3257 5181  
Fax +45 3257 5182  
Info@cedrex.dk  
www.cedrex.dk



Cedrex A/S develops, produces and implements small automation systems for the biotechnical, pharmaceutical and related branches. Focusing on solving technical problems and the constant development of our skills, Cedrex A/S strives to be ahead with effective solutions.

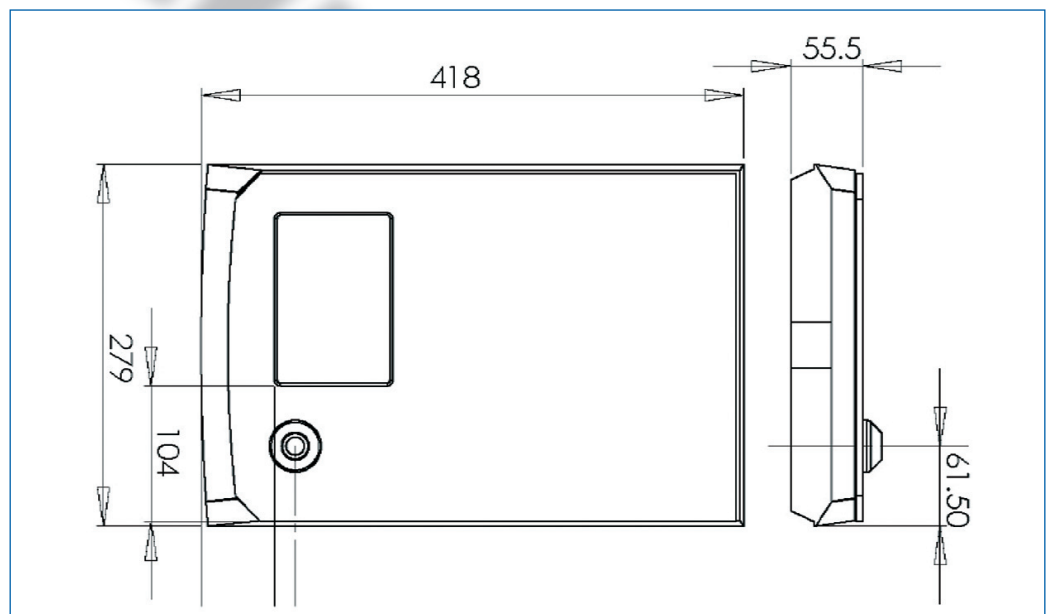
# Xtr-96<sup>Lite</sup>

## -Entry Level Single Rack Scanner



### Specifications

CODE Formats	Data Matrix®, ISO 16022, Square and Rectangular Format, ECC 200, 0 - 20 grid sizes, White on Black and Black on White, Numeric and Alpha Numeric
Sensor Type	Charge coupled device (CCD)
Light Source	White Light LED (variable light source)
Dimensions	Width 464 mm (18.28 in) Depth 286 mm (11.26 in) Height 82 mm (3.23 in)
Weight	2.06 kg (4.53 lb)
Power Requirements	Universal AC adapter: 100-240 VAC (50/60 Hz) input; 12Vdc, 1.25 A output
User Interface	fluidX GUI, including Windows TCP/IP, ODBC
Cable Length	1.5 m
Cable Interface	USB2.0 / USB1.1 USB (B type)
Operating System	Windows® 2000 / XP
Ordering Information	XTR-96lite includes XTR-96lite Whole Rack Reader USB Cable Universal Power Supply with UK and Euro Plug Software Installation CD Software License USB Dongle



Cedrex A/S  
Notgangen 3  
DK-2690 Karlslunde  
Phone +45 3257 5181  
Fax +45 3257 5182  
Info@cedrex.dk  
www.cedrex.dk

Windows® is a registered trademark of Microsoft Corp.  
Data Matrix® is a registered trademark of RVSI.



Cedrex A/S develops, produces and implements small automation systems for the biotechnical, pharmaceutical and related branches. Focusing on solving technical problems and the constant development of our skills, Cedrex A/S strives to be ahead with effective solutions.