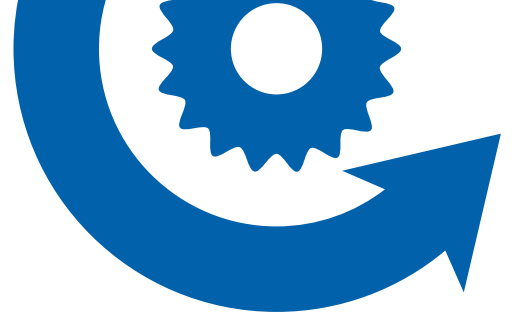


# Xts-384

## -Variable Temperature Thermal Sealer



The xts-384 Variable Temperature Thermal Sealer is a low to medium throughput manual heat sealer. Compatible with a wide range seals and plates of differing heights by using the appropriate plate adapters.

The variable temperature heating element of the sealer allows for the optimisation of all seals and plates ensuring no damage to either, plate, seal or sample. The unique

counter-lever handle mechanism ensures the correct pressure is applied with an ergonomic design minimising the force required. Combined with the variable temperature element is a programmable count down timer and alarm that ensures the correct pressure, temperature and time are used for optimal sealing.

- Heat sealing temperature 125-200°C.
- Selectable temperature setting to suit a variety of sealing films.
- Heat sealing time of 1-9 seconds with selectable sealing time.
- Auto notification when correct sealing position is reached.
- Rapid heating element for quick startup.
- Stable safe design.
- Adaptors for all plate varieties.
- Deep Well Block compatible.
- Ergonomic design to minimise operator strain.
- Full range of thermal seals available.
- Single action operation, no need to rotate plate and re seal.
- Lifetime guarantee on mechanical mechanism.

**Cedrex A/S**  
Notgangen 3  
DK-2690 Karlslunde  
Phone +45 3257 5181  
Fax +45 3257 5182  
Info@cedrex.dk  
www.cedrex.dk



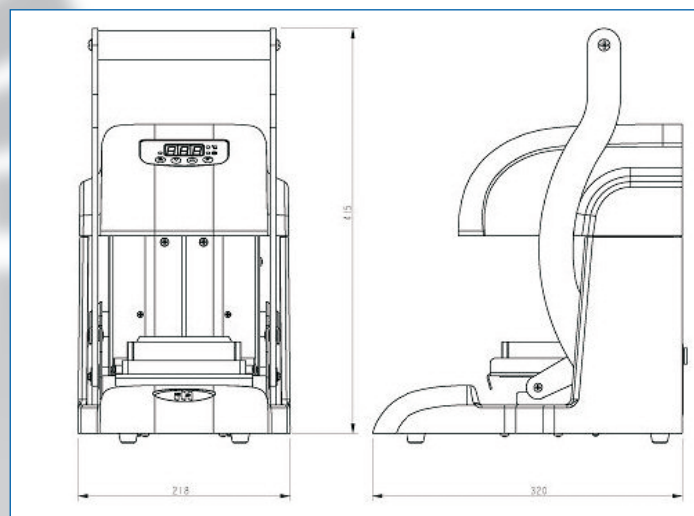
Cedrex A/S develops, produces and implements small automation systems for the biotechnical, pharmaceutical and related branches. Focusing on solving technical problems and the constant development of our skills, Cedrex A/S strives to be ahead with effective solutions.

# Xtr-384

## - Variable Temperature Thermal Sealer

### Specifications

Plate Formats	Can be used with all the following with appropriate adapter <ul style="list-style-type: none"><li>• SBS standard Polypropylene, Polystyrene plates and deep well blocks</li><li>• PCR Plates included hard shell, skirted, semi skirted and skirtless</li></ul>
Dimensions	Width 218 mm Depth 320 mm Height 415 mm
Weight	4.5 kg
Power Requirements	AC 100 to 240 V, +10% /-10%. Less than 320W
Timer	User selectable from 1- 9 Seconds with Audible Alarm
Heating Element	User selectable Rapid Heating from 125 - 200°C
Ordering Information	XTS-384 includes: <ul style="list-style-type: none"><li>• XTS-384 Manual Variable Temperature Heat Sealer</li><li>• Universal Power Supply with UK or Euro Plug</li><li>• Manual</li></ul> Adapters, at least 1 Required: <ul style="list-style-type: none"><li>• Part # 42-1001 Universal adapter for SBS format plates</li><li>• Part # 42-1002 Universal adapter for STD PCR Plates (requiring support)</li><li>• Part # 42-1003 Bioblock adapter</li><li>• Part # 42-1004 Custom adapters available upon request</li></ul>



Cedrex A/S  
Notgangen 3  
DK-2690 Karlslunde  
Phone +45 3257 5181  
Fax +45 3257 5182  
Info@cedrex.dk  
www.cedrex.dk

Windows® is a registered trademark of Microsoft Corp.  
Data Matrix® is a registered trademark of RVSI.



Cedrex A/S develops, produces and implements small automation systems for the biotechnical, pharmaceutical and related branches. Focusing on solving technical problems and the constant development of our skills, Cedrex A/S strives to be ahead with effective solutions.